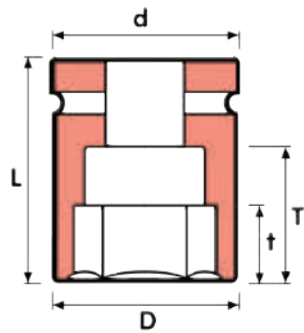




1 1/2" DRIVE SOCKETS

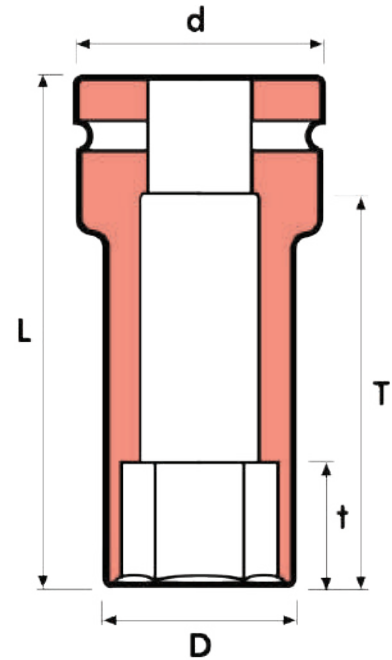


	Part No.	D	d	L	t	T	Wt.
		mm	mm	mm	mm	mm	kg
22	5-22	46	84	80	14	38	1.95
24	5-24	48	84	80	14	38	1.96
25	5-25	50	84	80	14	38	2.00
27	5-27=1 1/16	54	84	80	16	38	2.07
30	5-30=1 3/16	56	84	80	17	38	2.07
32	5-32	59	84	80	19	38	2.13
33	5-33	59	84	80	19	38	2.13
34	5-34	61	84	80	20	38	2.15
35	5-35=1 3/8	61	84	80	20	36	2.10
36	5-36	63	84	84	21	36	2.30
37	5-37	65	84	84	21	42	2.19
38	5-38=1 1/2	65	84	84	21	36	2.30
41	5-41	70	84	84	23	36	2.29
42	5-42	71	84	84	23	36	2.26
43	5-43=1 11/16	73	84	84	24	36	2.40
46	5-46=1 13/16	76	84	87	25	40	2.40
47	5-47	78	84	87	26	40	2.40
48	5-48	79	84	87	26	40	2.40
50	5-50	81	84	90	28	43	2.40
52	5-52	83	84	90	30	43	2.50
54	5-54	84	84	90	30	44	2.38
55	5-55	86	86	90	30	47	2.52
56	5-56	87	86	95	30	51	2.90
57	5-57	90	86	95	30	53	2.90
58	5-58	92	86	95	30	53	2.97
60	5-60	94	86	95	35	51	3.03
63	5-63	97	86	100	35	58	3.16
64	5-64	97	86	100	35	58	3.24
65	5-65=2 9/16	99	86	100	35	56	3.38
70	5-70=2 3/4	105	86	105	40	61	4.00
75	5-75	112	86	110	42	66	4.60
77	5-77	118	86	110	42	60	5.00
80	5-80	119	86	110	42	66	5.30
85	5-85	125	86	120	50	75	5.67
90	5-90	131	86	120	50	75	6.04
95	5-95=3 3/4	141	102	130	55	83	8.30
100	5-100	146	102	130	55	83	8.63
105	5-105=4 1/8	151	102	130	55	83	9.40
110	5-110	157	102	140	70	92	10.00
115	5-115	163	102	140	72	92	10.60
120	5-120	170	102	140	77	90	11.20
125	5-125	175	102	140	77	90	11.80


1 1/2" DRIVE SOCKETS

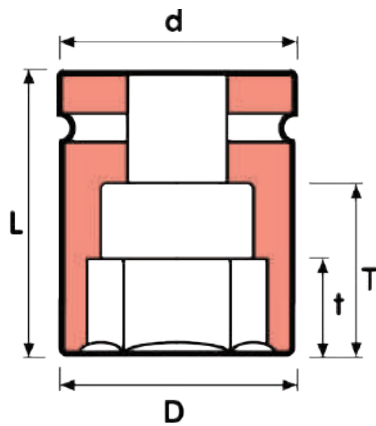
	Part No.	D	d	L	t	T	Wt.
		mm	mm	mm	mm	mm	kg
130	5-130	180	102	150	80	100	12.90
135	5-135	186	102	150	80	100	13.60
140	5-140	192	102	150	80	100	15.00
145	5-145	198	102	150	80	97	17.20
150	5-150	203	102	150	85	97	18.00
155	5-155	209	102	150	85	97	19.00

	Part No.	D	d	L	t	T	Wt.
		mm	mm	mm	mm	mm	kg
30	5-30=1 3/16L	56	84	150	17	108	3.30
35	5-35=1 3/8L	61	84	150	20	108	3.79
36	5-36L	63	84	150	23	108	3.81
38	5-38=1 1/2L	65	84	150	24	108	3.86
41	5-41L	70	84	150	27	106	3.70
42	5-42L	71	84	150	27	106	3.70
43	5-43=1 11/16L	73	84	150	27	106	3.90
46	5-46=1 13/16L	77	84	150	29	106	3.90
47	5-47L	78	84	150	30	106	4.26
48	5-48L	79	84	150	30	105	4.18
50	5-50L	81	84	150	32	106	3.90
52	5-52L	83	84	150	33	106	3.90
55	5-55L	86	86	150	35	106	4.10
56	5-56L	87	86	150	35	108	4.18
57	5-57L	90	86	150	36	108	4.40
58	5-58L	92	86	150	37	108	4.70
60	5-60L	94	86	150	39	106	4.70
63	5-63L	97	86	150	41	108	4.94
64	5-64L	97	86	150	41	108	4.86
65	5-65=2 9/16L	99	86	150	41	106	4.90
70	5-70=2 3/4L	105	86	170	45	126	6.40
75	5-75L	112	86	170	47	126	6.90
80	5-80L	119	86	170	51	126	7.60
85	5-85L	125	86	180	54	135	9.40
90	5-90L	131	86	180	58	135	10.00
95	5-95=3 3/4L	141	102	190	61	143	12.10
100	5-100L	146	102	190	46	143	12.60
105	5-105=4 1/8L	151	102	190	66	143	13.20
110	5-110L	157	102	200	70	152	14.50
115	5-115L	163	102	200	72	152	15.10
120	5-120L	170	102	200	77	150	16.00
125	5-125L	175	102	200	77	136	17.12




1 1/2" DRIVE SOCKETS

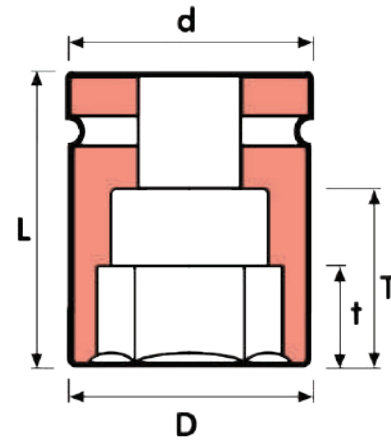
	Part No.	D	d	L	t	T	Wt.	
		mm	mm	mm	mm	mm	kg	
	130	5-130L	180	102	210	80	145	18.59
	135	5-135L	186	102	210	80	144	19.50
	140	5-140L	192	102	210	80	142	20.80
	145	5-145L	198	102	210	80	141	21.47
	150	5-150L	203	102	210	85	139	22.33
	155	5-155L	209	102	210	85	138	23.35



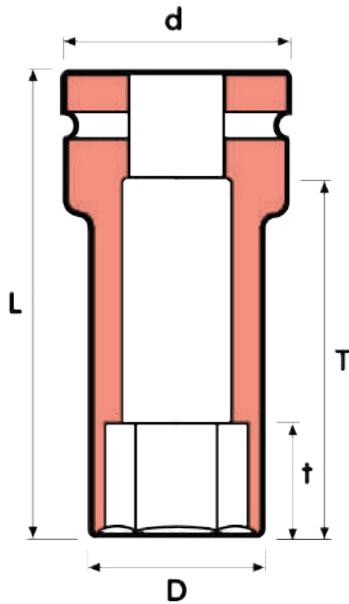
	Part No.	D	d	L	t	T	Wt.	
		mm	mm	mm	mm	mm	kg	
	1	5-1	50	84	80	14	38	1.98
	1 1/16	5-27=1 1/16	54	84	80	16	38	2.07
	1 1/8	5-1 1/8	54	84	80	16	38	1.98
	1 3/16	5-30=1 3/16	56	84	80	17	38	2.07
	1 1/4	5-1 1/4	59	84	80	19	38	2.15
	1 5/16	5-1 5/16	59	84	80	19	38	1.98
	1 3/8	5-35=1 3/8	61	84	80	20	36	2.10
	1 7/16	5-1 7/16	63	84	84	21	42	2.17
	1 1/2	5-38=1 1/2	65	84	84	21	36	2.30
	1 9/16	5-1 9/16	68	84	84	22	42	2.25
	1 5/8	5-1 5/8	70	84	84	23	36	2.40
	1 11/16	5-43=1 11/16	73	84	84	24	36	2.40
	1 3/4	5-1 3/4	75	84	87	25	40	2.40
	1 13/16	5-46=1 13/16	76	84	87	25	40	2.40
	1 7/8	5-1 7/8	78	84	87	26	40	2.40
	1 15/16	5-1 15/16	80	84	90	28	43	2.40
	2	5-2	82	84	90	30	43	2.42
	2 1/16	5-2 1/16	83	84	90	30	43	2.50
	2 1/8	5-2 1/8	84	84	90	30	43	2.60
	2 3/16	5-2 3/16	87	86	95	30	51	2.90
	2 1/4	5-2 1/4	90	86	95	30	51	2.90
	2 5/16	5-2 5/16	92	86	95	30	51	3.00
	2 3/8	5-2 3/8	94	86	95	35	51	3.10
	2 7/16	5-2 7/16	96	86	100	35	56	3.30
	2 1/2	5-2 1/2	97	86	100	35	56	3.30
	2 9/16	5-65=2 9/16	99	86	100	35	56	3.38
	2 5/8	5-2 5/8	102	86	105	40	61	3.80
	2 11/16	5-2 11/16	104	86	105	40	61	3.90
	2 3/4	5-70=2 3/4	105	86	105	40	61	4.00
	2 13/16	5-2 13/16	107	86	110	42	66	4.20

1 1/2" DRIVE SOCKETS

	Part No.	D	d	L	t	T	Wt.
		mm	mm	mm	mm	mm	kg
2 7/8	5-2 7/8	110	86	110	42	66	4.40
2 15/16	5-2 15/16	112	86	110	42	66	4.60
3	5-3	116	86	110	42	66	4.90
3 1/16	5-3 1/16	118	86	110	42	66	5.10
3 1/8	5-3 1/8	119	86	110	42	66	5.40
3 5/16	5-3 5/16	125	86	120	50	68	6.01
3 3/8	5-3 3/8	125	86	120	50	75	6.20
3 7/16	5-3 7/16	129	86	120	50	67	6.26
3 1/2	5-3 1/2	130	86	120	50	75	6.70
3 9/16	5-3 9/16	131	86	120	50	67	6.34
3 5/8	5-3 5/8	136	102	120	50	75	7.00
3 11/16	5-3 11/16	138	102	120	50	66	7.35
3 3/4	5-95=3 3/4	141	102	130	55	83	8.30
3 13/16	5-3 13/16	142	102	130	55	75	8.29
3 7/8	5-3 7/8	144	102	130	55	83	8.48
3 15/16	5-3 15/16	146	102	130	55	83	9.00
4	5-4	148	102	130	55	83	9.10
4 1/16	5-4 1/16	149	102	130	55	73	8.80
4 1/8	5-105=4 1/8	151	102	130	55	83	9.40
4 3/16	5-4 3/16	153	102	130	55	83	9.60
4 1/4	5-4 1/4	155	102	140	70	92	9.97
4 5/16	5-4 5/16	157	102	140	70	81	10.14
4 3/8	5-4 3/8	158	102	140	70	92	10.30
4 1/2	5-4 1/2	163	102	140	72	92	10.67
4 5/8	5-4 5/8	166	102	140	77	90	10.82
4 3/4	5-4 3/4	170	102	140	77	90	11.10
4 7/8	5-4 7/8	173	102	140	77	90	11.50
5	5-5	178	102	150	77	100	12.30
5 1/8	5-5 1/8	180	102	150	80	100	12.90
5 3/16	5-5 3/16	182	102	150	80	100	13.10
5 1/4	5-5 1/4	185	102	150	80	100	13.40
5 3/8	5-5 3/8	188	102	150	80	100	14.00
5 1/2	5-5 1/2	192	102	150	80	100	15.00
5 9/16	5-5 9/16	193	102	150	80	97	15.90
5 3/4	5-5 3/4	199	102	150	85	97	17.40
5 7/8	5-5 7/8	203	102	150	85	97	18.20
6	5-6	206	102	150	85	97	15.45
6 1/8	5-6 1/8	209	102	150	85	97	19.00



1 1/2" DRIVE SOCKETS



	Part No.	D	d	L	t	T	Wt.
		mm	mm	mm	mm	mm	kg
1 3/16	5-30=1 3/16L	56	84	150	17	108	3.30
1 3/8	5-35=1 3/8L	61	84	150	20	108	3.79
1 1/2	5-38=1 1/2L	65	84	150	24	108	3.86
1 5/8	5-1 5/8L	70	84	150	27	106	3.70
1 11/16	5-43=1 11/16L	73	84	150	27	102	3.90
1 3/4	5-1 3/4L	75	84	150	29	102	3.70
1 13/16	5-46=1 13/16L	77	84	150	29	102	3.90
1 7/8	5-1 7/8L	78	84	150	30	102	3.80
1 15/16	5-1 15/16L	80	84	150	31	102	3.90
2	5-2L	82	84	150	32	102	3.90
2 1/16	5-2 1/16L	83	84	150	33	102	3.90
2 1/8	5-2 1/8L	84	84	150	35	102	4.00
2 3/16	5-2 3/16L	87	86	150	35	102	4.20
2 1/4	5-2 1/4L	90	86	150	36	102	4.40
2 5/16	5-2 5/16L	92	86	150	37	102	4.60
2 3/8	5-2 3/8L	94	86	150	39	102	4.80
2 7/16	5-2 7/16L	96	86	150	40	102	4.80
2 1/2	5-2 1/2L	97	86	150	41	102	4.90
2 9/16	5-65=2 9/16L	99	86	150	41	102	4.90
2 5/8	5-2 5/8L	102	86	170	43	126	6.10
2 11/16	5-2 11/16L	104	86	170	43	126	6.30
2 3/4	5-70=2 3/4L	105	86	170	45	126	6.40
2 13/16	5-2 13/16L	107	86	170	46	126	6.60
2 7/8	5-2 7/8L	110	86	170	46	126	6.80
2 15/16	5-2 15/16L	112	86	170	47	126	6.90
3	5-3L	116	86	170	48	126	7.60
3 1/16	5-3 1/16L	118	86	170	49	126	7.60
3 1/8	5-3 1/8L	119	86	170	51	126	7.60
3 3/16	5-3 3/16L	121	86	180	51	135	9.00
3 1/4	5-3 1/4L	123	86	180	52	135	9.20
3 3/8	5-3 3/8L	125	86	180	54	135	9.40
3 7/16	5-3 7/16L	129	86	180	55	127	9.31
3 1/2	5-3 1/2L	130	86	180	58	135	9.90
3 5/8	5-3 5/8L	136	102	180	58	135	10.300
3 3/4	5-95=3 3/4L	141	102	190	61	143	12.100
3 13/16	5-3 13/16L	142	102	190	61	136	12.420
3 7/8	5-3 7/8L	144	102	190	64	143	12.400
4	5-4L	148	102	190	64	143	12.800
4 1/16	5-4 1/16L	149	102	190	66	133	13.060
4 1/8	5-105=4 1/8L	151	102	190	66	143	13.200
4 3/16	5-4 3/16L	153	102	190	67	143	13.600
4 1/4	5-4 1/4L	155	102	200	70	150	14.700